

1/2 Pallet Elog - Technical Details

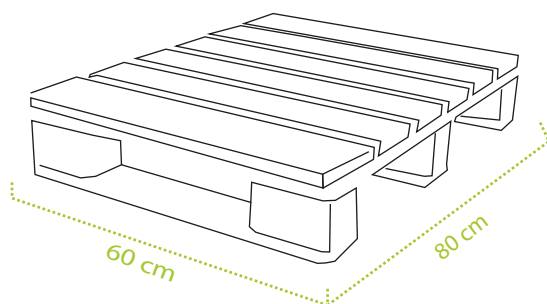


Dimensions (LxWxH)

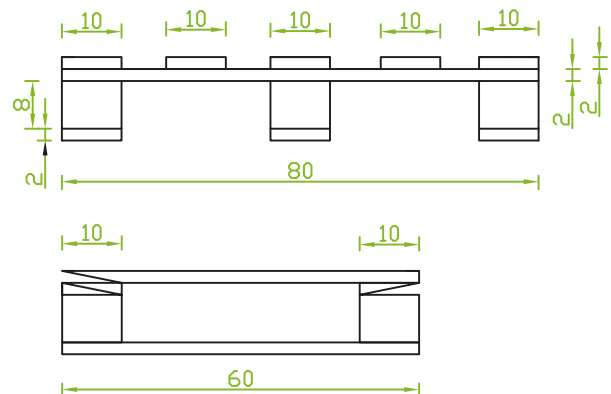
80 x 60 x 14.5 cm

Weight: 7 - 10 kg

Pallet capacity: 1,000 kg



80 x 60 x 14



www.ealog-group.com

Retail Ready Packaging
The ultimate in cost savings